



**MANDRINI ATTACCO HSK  
FORMA - A / C / E / F**

TOOLHOLDERS  
HKS FORM - A / C / E / F

**9F-1**



# MANDRINI ATTACCO HSK FORMA - A / C / E / F

## TOOLHOLDERS HKS FORM - A / C / E / F

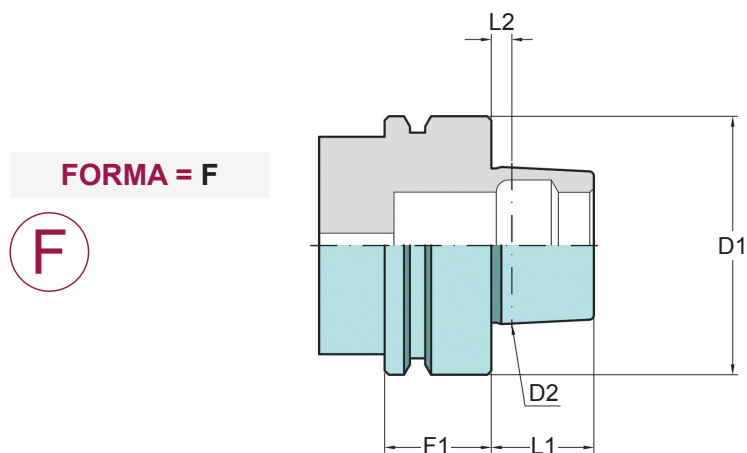


**MANDRINI CAMBIO RAPIDO**  
QUICK CHANGE TOOLHOLDERS

**9F-1**

**Tabella tecnica**

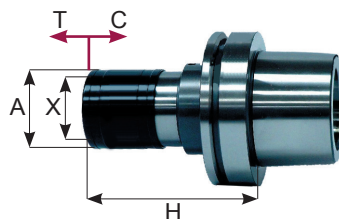
Data sheet



<b>FORMA</b>	<b>D1</b>	<b>D2</b>	<b>L1</b>	<b>L2</b>	<b>F1</b>
<b>HSK-F</b>	40	24	16	3.2	20
	50	30	20	4	26
	63	38	25	5	26

**Mandrini con compressione e trazione**

Tension and compression tap holders



**HSK-F 50 / 63**

<b>CODICE</b>	<b>CAP</b>	<b>X</b>	<b>A</b>	<b>H</b>	<b>T</b>	<b>C</b>	<b>EUR</b>
HSK50F-THTC1-L80	M3 ÷ M12	19	36	80	7.5	7.5	
HSK63F-THTC1-L81				81			
HSK50F-THTC2-L137	M8 ÷ M20	31	53	137	10	10	
HSK63F-THTC2-L119				119			