



**MANDRINI ATTACCO HSK
FORMA - A / C / E / F**

TOOLHOLDERS
HKS FORM - A / C / E / F

9E-1



MANDRINI ATTACCO HSK FORMA - A / C / E / F

TOOLHOLDERS HKS FORM - A / C / E / F



MANDRINI A CAMBIO RAPIDO
QUICK CHANGE TOOLHOLDERS



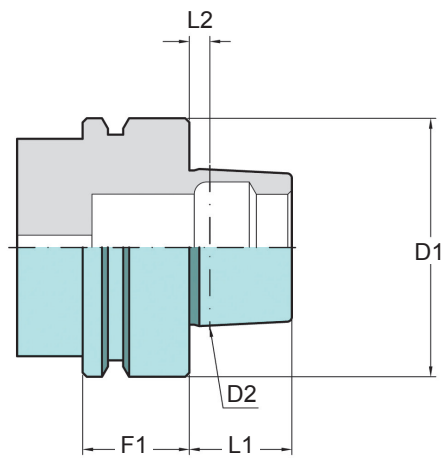
MANDRINI RIGIDI
RIGID TOOLHOLDERS

9E-1

Tabella tecnica
Data sheet

FORMA = E

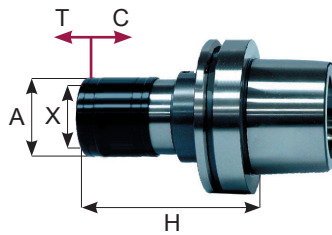
E



FORMA	D1	D2	L1	L2	M	F1
HSK-E	25	19	13	2.5	M8 x 1	10
	32	24	16	3.2	M10 x 1	20
	40	30	20	4	M12 x 1	20
	50	38	25	5	M16 x 1	26
	63	40	32	6.3	M18 x 1	26

Mandrini con compressione e trazione

Tension and compression tap holders

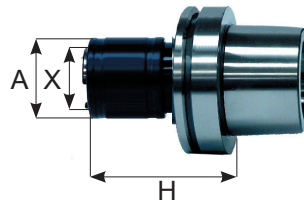


HSK-E 40 / 50 / 63

CODICE	CAP	X	A	H	T	C	EUR
HSK40E-THTC1-L80	M3 ÷ M12	19	36	80	7.5	7.5	
HSK50E-THTC1-L80	M3 ÷ M12	19	36	80	7.5	7.5	
HSK50E-THTC2-L110	M8 ÷ M20	31	53	110	10	10	
HSK63E-THTC1-L80	M3 ÷ M12	19	36	80	7.5	7.5	
HSK63E-THTC2-L110	M8 ÷ M20	31	53	110	10	10	

Mandrini rigidi

Rigid tap holders



HSK-E 40 / 50 / 63

CODICE	CAP	X	A	H	EUR
HSK40E-TLR1-L57	M3 ÷ M12	19	33	57	
HSK40E-TLR2-L84	M8 ÷ M20	31	50	84	
HSK50E-TLR1-L63	M3 ÷ M12	19	33	63	
HSK50E-TLR2-L84	M8 ÷ M20	31	50	84	
HSK63E-TLR1-L63	M3 ÷ M12	19	33	63	
HSK63E-TLR2-L84	M8 ÷ M20	31	50	84	