



**MANDRINI
ATTACCO DIN/2080**

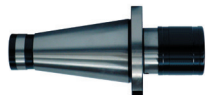
TOOLHOLDERS
DIN/2080

8A



MANDRINI ATTACCO DIN/2080

TOOLHOLDERS DIN/2080

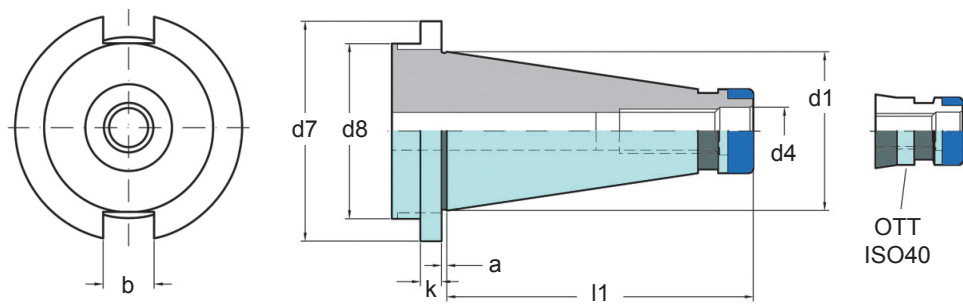


MANDRINI A CAMBIO RAPIDO
QUICK CHANGE TOOLHOLDERS

8A

Tabella tecnica

Data sheet



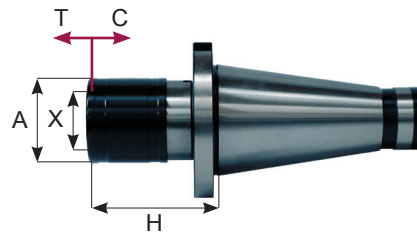
CONO	FORMA	d1	d4	a	b	l1	d7	k	d8
ISO30	AD	31.75	M12	1.6	16.1	68.4	50	8	36
ISO40 *	AD	44.45	M16	1.6	16.1	93.4	63	10	50
ISO50	AD	69.85	M24	3.2	25.7	126.8	97.5	12	78

* ISO 40 con scanalatura MAHO-OTT

ISO 40 with MAHO-OTT groove

Mandrini con compressione e trazione

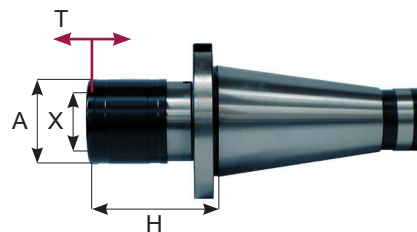
Tension and compression tapholders


ISO30 / 40 / 50

CODICE	CAP	X	A	H	T	C	EUR
SK30-THTC1-L51	M3 ÷ M12	19	36	51	7.5	7.5	
SK40-THTC1-L51				51			
SK50-THTC1-L59				59			
SK40-THTC2-L77	M8 ÷ M20	31	53	77	12.5	12.5	
SK50-THTC2-L79				79			
SK40-THTC3-L142	M14 ÷ M33	48	78	142	20	20	
SK50-THTC3-L129				129			
SK40-THTC4-L157	M22 ÷ M48	60	96	157	22.5	22.5	
SK50-THTC4-L143				143			

Mandrini con solo trazione

Tension tapholders


ISO30 / 40 / 50

CODICE	CAP	X	A	H	T	C	EUR
SK30-THT1-L58	M3 ÷ M12	19	36	58	7.5	0	
SK40-THT1-L51				51			
SK50-THT1-L59				59			
SK40-THT2-L77	M8 ÷ M20	31	53	77	12.5	0	
SK50-THT2-L79				79			
SK40-THT3-L142	M14 ÷ M33	48	78	142	20	0	
SK50-THT3-L129				129			
SK40-THT4-L157	M22 ÷ M48	60	96	157	22.5	0	
SK50-THT4-L143				143			